

SERVOREELER SYSTEMS

XEDIT Corporation

218-31 Ninety Seventh Avenue

Queens Village, New York 11429

Web site: www.servoreelers.com

e-mail: srsystems@servoreelers.com

Tel: (718) 464-9400 Fax: 464-9435

SRC-12 Three sub-section Controller

INSTALLATION ADDENDUM
ADDITIONAL INSTRUCTIONS
FOR CONNECTOR PIN-OUTS

DB-50

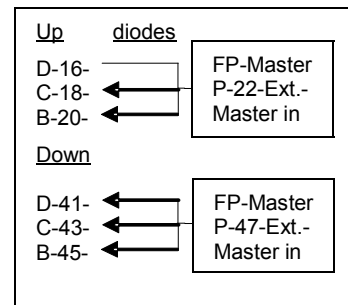
PIN	Function	PIN	Function
1-	# 1 up/control	26-	down/control
2-	# 2 up/control	27-	down/control
3-	# 3 up/control	28-	down/control
4-	# 4 up/control	29-	down/control
5-	# 5 up/control	30-	down/control
6-	# 6 up/control	31-	down/control
7-	# 7 up/control	32-	down/control
8-	# 8 up/control	33-	down/control
9-	# 9 up/control	34-	down/control
10-	#10 up/control	35-	down/control
11-	#11 up/control	36-	down/control
12-	#12 up/control	37-	down/control
13-		38-	
14-		39-	
15-	Section D Up Sense	40-	Section D Down Sense
16-	Section D Up (9-12)	41-	Section D Down (9-12)
17-	Section C Up Sense	42-	Section C Down Sense
18-	Section C Up (5-8)	43-	Section C Down (5-8)
19-	Section B Up sense	44-	Section B Down sense
20-	Section B Up (1-4)	45-	Section B Down (1-4)
21-	Master A Up sense	46-	Master A Down sense
22-	Master A Up (all)	47-	Master A Down (all)
23-	Auto enable	48-	F/P lockout
24-	Jumper to 23	49-	Jumper to 48
25-	+24V	50-	Common

Pins 21 & 46 open

RJ-45 Pinout/signal distribution

- 1- Down Sense Output
- 2- Down Control Input
- 3- Common
- 4- +24Vdc
- 5- +24Vdc
- 6- Common
- 7- Up Control Input
- 8- Up Sense Output

see note (1 & 2)



NOTES:

- 1- Add a diode summing junction to allow local (FP) and remote master control of all sections.
- 2- The actual split for the two master buses may vary according to project requirement.
- 3- The Master sense lines are high when the Servoreeler in motion and low when stopped.
- 4- To enable the front panel Master station, remove jumper (a) between pins 48 & 49.
- 5- To disable Automatic, single pulse, mode activation, remove jumper (b) bet. Pins 23 & 24.
- 6- These jumpers are installed on the DB-50 male cable-connector that is provided.
- 7- To test the system utilizing the front panel Master, simply unplug the DB-50 from the DB-50 chassis connector. After testing, replace the connector and the front panel Master will revert to being disabled (normal configuration)-Should you wish to have the front panel Master always enabled, remove jumper (a).
- 5- Automatic operation is selected by retaining or removing jumper (b)
- 6- Up and Down-multi-turn speed trimmers are located on the rear panel of the controller.
- 7- **SPEED TRIM CAUTION:** When switched ceiling bezels are used, take care not to set the retraction speed too high. An excessively high retraction speed will impair the ability of the bezel reed switch to trip in time to stop microphone motion within the confines of the bezel.
- 8- To install a remotely located Master station; feed 24Vdc to momentary UP/DOWN push-buttons with their outputs feeding Pin 22 for (UP) and Pin 47 for (DOWN) Master control.
- 9- Led driver outputs, pins 13-22 & 38-47 are provided with pushbutton operated controllers.

Should you require any further assistance, please call us for FREE telephone support at: 800 431-8900
From outside of the US please call us at: 718 464-9400 or fax: 464-9435
Or you may e-mail your question to: srsystems@servoreelers.com